

**Inductive Shaft encoder, Absolute**

- 58mm diameter
- Extremely robust design
- Shock and vibration protected
- Inductive scanning

**EnDat 2.2****Encoder configuration**

Type	ISA
Model	608 Multiturn
Shaft type	Ø6 mm round
Flange type	Synchro flange (63-type)
Power supply	3.6-14 Vdc
Output interface	EnDat 2.2 without 1Vpp signals
Absolute resolution	31 bit (19 bit singleturn + 12 bit multiturn)
Connection type	Cable
Connecting direction	Radial
Cable length	1.50 m

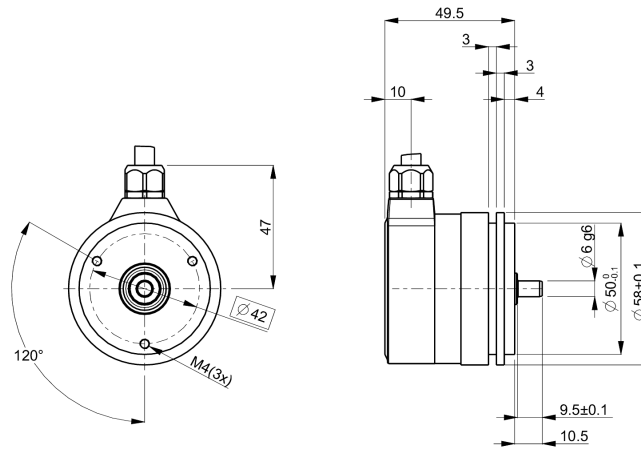
**Mechanical data**

Operating temperature	-40 °C...+100 °C
Ingress protection class [IEC 60529]	IP67
Vibration [IEC 60068-2-6]	≤ 300 m/s <sup>2</sup>
Shock [IEC 60068-2-27]	≤ 2000 m/s <sup>2</sup>
Shaft load (axial/radial)	100 / 125 N
Rotational speed max	12000 rpm
Shaft material	Stainless steel
Cover material	Aluminium (anodized)
Weight	340 g

**Electrical data**

Polarity protected	No
Current consumption	100 mA at 5 Vdc
Cable length max	Max 100 m (10 m at 2 MHz)
Absolute accuracy	± 100 arcsec

## Dimensions



## Pin Configuration

Function	Colour
+E Volt	Red
0 Volt	Blue
Clock	Yellow
Clock inverted	Black
Data	White
Data inverted	Green
+E Volt sense	Grey
0 Volt sense	Pink

## Order information

Part number	1126968-01
-------------	------------