**Ruggedized Hollow shaft encoder, Absolute**

- 58mm diameter
- Singleturn resolution 13 bit
- Multiturn resolution 12 bit
- Robust design
- Shock and vibration protected

**Encoder configuration**

Type	RHA
Model	608 Multiturn
Shaft type	Ø12 mm blind hollow shaft
Flange type	58/59-flange with stator coupling
Power supply	9-36 Vdc
Output interface	PROFIBUS DP
Absolute resolution	25 bit (13 bit singleturn + 12 bit multiturn)
Connection type	Cable gland
Connecting direction	Radial

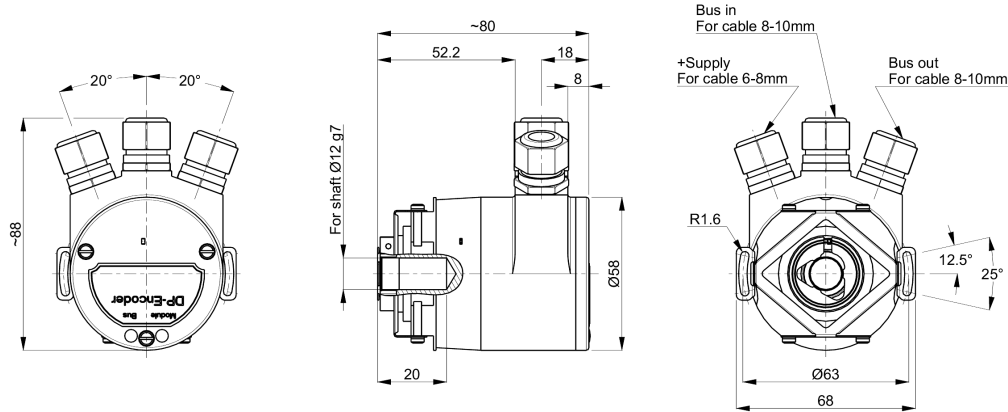
**Mechanical data**

Operating temperature	-40 °C...+70 °C
Ingress protection class [IEC 60529]	IP67/IP64 (Encoder body/Shaft inlet)
Vibration [IEC 60068-2-6]	≤ 100 m/s <sup>2</sup>
Shock [IEC 60068-2-27]	≤ 1000 m/s <sup>2</sup>
Shaft load (axial/radial)	10 / 20 N
Rotational speed max	6000 rpm
Shaft material	Stainless steel
Cover material	Aluminium
Weight	400 g

**Electrical data**

Polarity protected	Yes
Current consumption	95 mA at 24 Vdc
Absolute accuracy	± 158 arcsec
Supported profile	Encoder profile 3.062 and 3.162 v4.1
Node adress	Settable via switches, 0...99
Baud rate	Max. 12 Mbit/s

## Dimensions



## Supported functions

Preset, Scaling, Code sequence, Isosynchronous mode (only DPV2), Velocity (only DPV0 class 2)

## Pin Configuration

Function	Terminal
+E Volt	+ (1)
0 Volt	- (2)
B** (Bus in)	B (3)
A* (Bus in)	A (4)
B** (Bus out)	B (5)
A* (Bus out)	A (6)

\*A terminals are connected

\*\*B terminals are connected

## Order information

Part number	549856-01
-------------	-----------