**Ruggedized Hollow shaft encoder, Absolute**

- 58mm diameter
- Singleturn resolution 13 bit
- Multiturn resolution 12 bit
- Robust design
- Shock and vibration protected

**Encoder configuration**

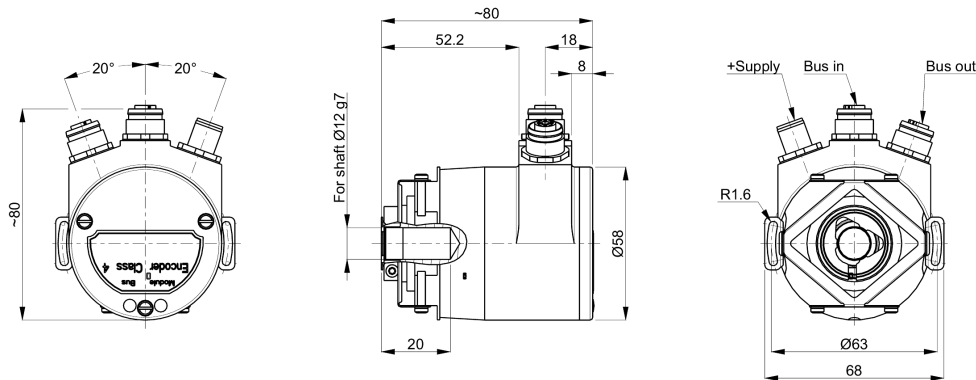
Type	RHA
Model	608 Multiturn
Shaft type	Ø12 mm blind hollow shaft
Flange type	58/59-flange with stator coupling
Power supply	10-30 Vdc
Output interface	PROFINET IRT
Absolute resolution	25 bit (13 bit singleturn + 12 bit multiturn)
Connection type	3xM12 connectors
Connecting direction	Radial

Mechanical data

Operating temperature	-40 °C...+70 °C
Ingress protection class [IEC 60529]	IP67/IP64 (Encoder body/Shaft inlet)
Vibration [IEC 60068-2-6]	≤ 100 m/s ²
Shock [IEC 60068-2-27]	≤ 1000 m/s ²
Shaft load (axial/radial)	10 / 20 N
Rotational speed max	6000 rpm
Shaft material	Stainless steel
Cover material	Aluminium
Weight	400 g

Electrical data

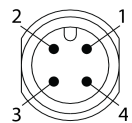
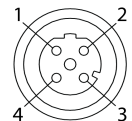
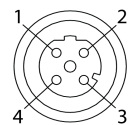
Polarity protected	Yes
Current consumption	100 mA at 24 Vdc
Absolute accuracy	± 158 arcsec
Supported profile	Encoder profile 3.162 v.4.1
Node adress	Assigned dynamically via DCP
Baud rate	Max. 100 Mbit/s

Dimensions**Supported functions**

Preset, Scaling, Code sequence, Isosynchronous mode, I&M functions, Velocity

Pin Configuration

Function	Pin
4p D-coded M12 (Port 2)	
Tx+	1
Rx+	2
Tx-	3
Rx-	4
4p D-coded M12 (Port 1)	
Tx+	1
Rx+	2
Tx-	3
RX-	4
4p A-coded M12 (Supply)	
+E Volt	1
0 Volt	3

**Order information**

Part number	661400-01
-------------	-----------