**Ruggedized Shaft encoder, Absolute**

- 58mm diameter
- Singleturn resolution 13 bit
- Multiturn resolution 12 bit
- Robust design
- Shock and vibration protected

**Encoder configuration**

Type	RSA
Model	608 Multiturn
Shaft type	Ø6 mm round
Flange type	Synchro flange (63-type)
Power supply	10-30 Vdc
Output interface	PROFINET IRT
Absolute resolution	25 bit (13 bit singleturn + 12 bit multiturn)
Connection type	3xM12 connectors
Connecting direction	Radial

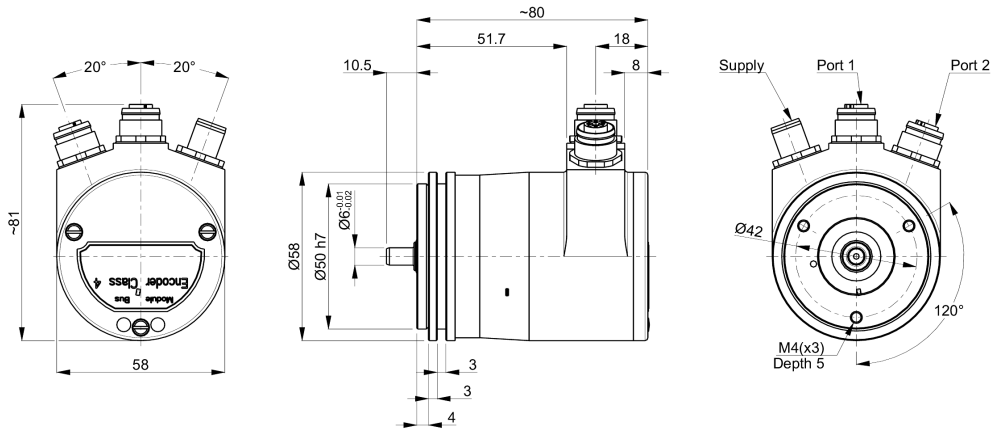
**Mechanical data**

Operating temperature	-40 °C...+70 °C
Ingress protection class [IEC 60529]	IP67/IP66 (Encoder body/Shaft inlet)
Vibration [IEC 60068-2-6]	≤ 100 m/s <sup>2</sup>
Shock [IEC 60068-2-27]	≤ 1000 m/s <sup>2</sup>
Shaft load (axial/radial)	50 / 60 N
Rotational speed max	12000 rpm
Shaft material	Stainless steel
Cover material	Aluminium
Weight	400 g

**Electrical data**

Polarity protected	Yes
Current consumption	100 mA at 24 Vdc
Absolute accuracy	± 158 arcsec
Supported profile	Encoder profile 3.162 v.4.1
Node adress	Assigned dynamically via DCP
Baud rate	Max. 100 Mbit/s

## Dimensions

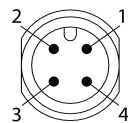
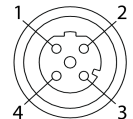
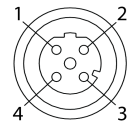


## Supported functions

Preset, Scaling, Code sequence, Isosynchronous mode, I&M functions, Velocity

## Pin Configuration

Function	Pin
<b>4p D-coded M12 (Port 2)</b>	
Tx+	1
Rx+	2
Tx-	3
Rx-	4
<b>4p D-coded M12 (Port 1)</b>	
Tx+	1
Rx+	2
Tx-	3
RX-	4
<b>4p A-coded M12 (Supply)</b>	
+E Volt	1
0 Volt	3



## Order information

Part number	661380-01
-------------	-----------