**Ruggedized Shaft encoder, Absolute**

- 58mm diameter
- Singleturn resolution 13 bit
- Multiturn resolution 12 bit
- Robust design
- Shock and vibration protected

**Encoder configuration**

Type	RSA
Model	608 Multiturn
Shaft type	Ø6 mm round
Flange type	Synchro flange (63-type)
Power supply	10-30 Vdc
Output interface	SSI Gray with 1Vpp signals
Absolute resolution	25 bit (13 bit singleturn + 12 bit multiturn)
Incremental signal resolution	512 ppr 1Vpp
Connection type	M23 connector 17-pin
Connecting direction	Radial

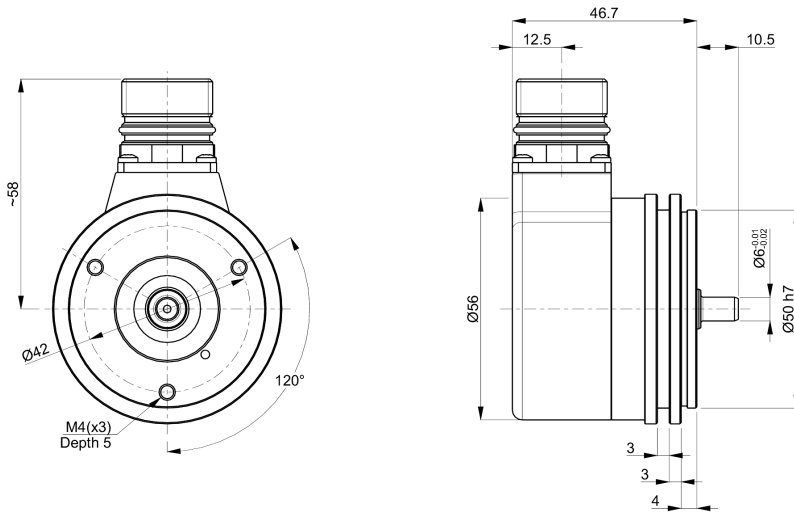
Mechanical data

Operating temperature	-40 °C...+85 °C
Ingress protection class [IEC 60529]	IP67/IP66 (Encoder body/Shaft inlet)
Vibration [IEC 60068-2-6]	≤ 300 m/s ²
Shock [IEC 60068-2-27]	≤ 1000 m/s ²
Shaft load (axial/radial)	40 / 60 N
Rotational speed max	12000 rpm
Shaft material	Stainless steel
Cover material	Aluminium
Weight	300 g

Electrical data

Polarity protected	Yes
Current consumption	Max 200 mA
Cable length max	Max. 100 m
Absolute accuracy	± 158 arcsec
Frequency range	100 kHz...1 MHz

Dimensions

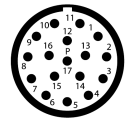


Supported functions

Code sequence, Preset

Pin Configuration

Function	Pin / Colour
0 Volt	10 / White-Green
0V sense	4 / White
+E Volt	7 / Brown-Green
+EV sense	1 / Blue
A	15 / Green-Black
A inverted	16 / Yellow-Black
B	12 / Blue-Black
B inverted	13 / Red-Black
Data	14 / Grey
Data inverted	17 / Pink
Clock	8 / Violett
Clock inverted	9 / Yellow
Code sequence	2 / Black
Zerose	5 / Green



Order information

Part number

576457-01