**Premium absolute hollow shaft encoder**

- 99,5mm diameter
- Extremely robust design
- Shock and vibration protected Inductive scanning
- Hybrid bearings for extended lifetime
- Electrically insulated up to 2.5 kV

**EnDat 2.2****Encoder configuration**

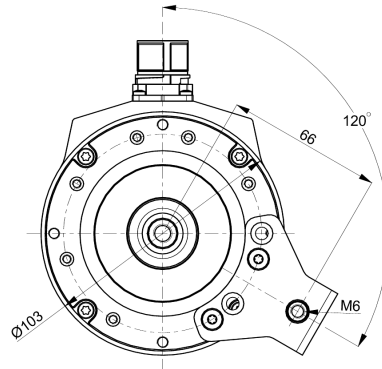
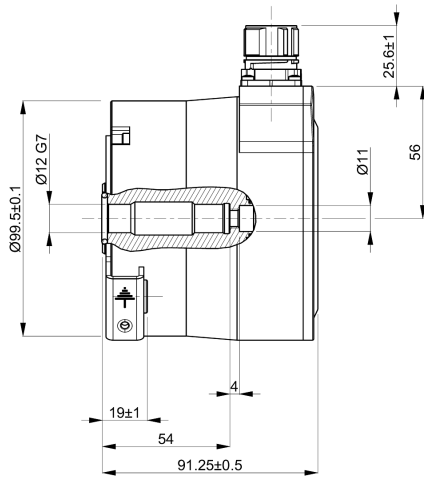
Type	PHE
Model	901
Shaft type	Ø12 mm blind hollow shaft
Flange type	86-flange
Output interface	EnDat 2.2 with additional 1Vpp signals
Absolute resolution	19 bit singleturn
Incremental signal resolution	32 ppr 1Vpp
Connection type	M23 connector 17-pin
Connecting direction	Radial

**Mechanical data**

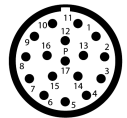
Operating temperature	-40 °C...+100 °C
Ingress protection class [IEC 60529]	IP67/IP66 (Encoder body/Shaft inlet)
Vibration [IEC 60068-2-6]	≤ 200 m/s <sup>2</sup>
Shock [IEC 60068-2-27]	≤ 1500 m/s <sup>2</sup>
Shaft load (axial/radial)	210 / 420 N
Rotational speed max	6000 rpm
Shaft material	Stainless steel with insulated hybrid bearings
Cover material	Aluminium (anodized)
Weight	1700 g
Torque support	120° degrees torque bracket

**Electrical data**

Polarity protected	Yes
Current consumption	100 mA at 5 Vdc
Absolute accuracy	± 100 arcsec
Power supply	3.6...14 Vdc

**Dimensions****Pin Configuration**

Function	Pin / Cable colour
0 Volt	10 / White-Green
0V sense	4 / White
+E Volt	7 / Brown-Green
+EV sense	1 / Blue
A	15 / Green-Black
A inverted	16 / Yellow-Black
B	12 / Blue-Black
B inverted	13 / Red-Black
Data	14 / Grey
Data inverted	17 / Pink
Clock	8 / Violett
Clock inverted	9 / Yellow
Internal shield	11 / Internal shield
Chassis	Shield

**Order information**

Part number

1123992-01