

**Premium absolute hollow shaft encoder**

- 99,5mm diameter
- Extremely robust design
- Shock and vibration protected
- Inductive scanning

**Encoder configuration**

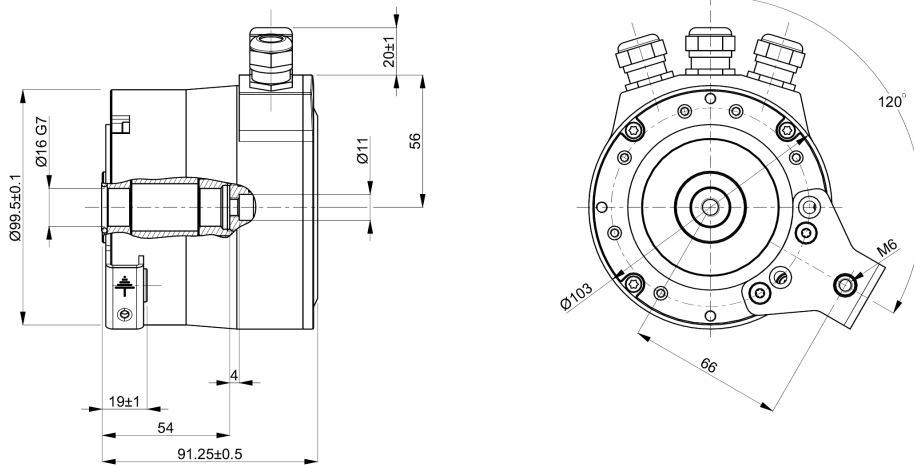
Type	PHE
Model	903
Shaft type	Ø16 mm blind hollow shaft
Flange type	86-flange
Output interface	PROFIBUS DP
Absolute resolution	31 bit (15 bit singleturn + 16 bit multiturn)
Connection type	Screw terminals 6+2 pin
Connecting direction	Radial

Mechanical data

Operating temperature	-20 °C...+70 °C
Ingress protection class [IEC 60529]	IP67/IP66 (Encoder body/Shaft inlet)
Vibration [IEC 60068-2-6]	≤ 200 m/s ²
Shock [IEC 60068-2-27]	≤ 1500 m/s ²
Shaft load (axial/radial)	210 / 420 N
Rotational speed max	6000 rpm
Shaft material	Stainless steel with insulated peek insert
Cover material	Aluminium (anodized)
Weight	1700 g
Torque support	120° degrees torque bracket

Electrical data

Polarity protected	Yes
Current consumption	80 mA at 24 Vdc
Absolute accuracy	± 150 arcsec
Supported profile	Encoder profile 3.062 class 2
Node adress	Settable via DIP switches, 0...99
Baud rate	Max. 12 Mbit/s
Power supply	9...36 Vdc

Dimensions**Supported functions**

Preset, Scaling, Code sequence, Velocity (only DPVD class 2)

Pin Configuration

Function	Terminal
6 pin terminal	
+E Volt	1
0 Volt	2
B	3
A	4
B	5
A	6
2 pin terminal	
Case	1
Case	2

Order information

Part number	1099519-01
-------------	------------