**Premium absolute solid shaft encoder**

- 99,5mm diameter
- Extremely robust design
- Shock and vibration protected
- Inductive scanning

**Encoder configuration**

Type	PSE
Model	903
Shaft type	Ø11 mm with key nut
Flange type	Euro-flange (B10-type)
Output interface	SSI Gray with HTL signals
Absolute resolution	25 bit (13 bit singleturn + 12 bit multiturn)
Incremental signal resolution	2048 ppr
Connection type	M23 connector 17-pin
Connecting direction	Radial

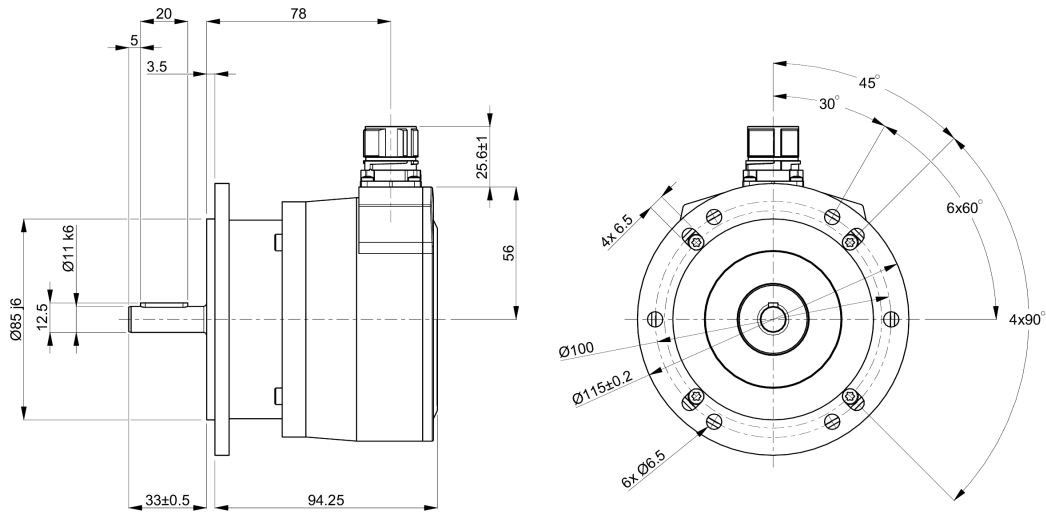
Mechanical data

Operating temperature	-40 °C...+85 °C
Ingress protection class [IEC 60529]	IP67/IP66 (Encoder body/Shaft inlet)
Vibration [IEC 60068-2-6]	≤ 200 m/s ²
Shock [IEC 60068-2-27]	≤ 1500 m/s ²
Shaft load (axial/radial)	210 / 280 N
Rotational speed max	6000 rpm
Shaft material	Stainless steel
Cover material	Aluminium (anodized)
Weight	1700 g

Electrical data

Polarity protected	Yes
Current consumption	100 mA at 24 Vdc (Max. 150 mA at 24 Vdc)
Absolute accuracy	± 180 arcsec
Power supply	9...30 Vdc

Dimensions

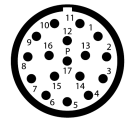


Supported functions

Code sequence, Preset

Pin Configuration

Function	Pin / Cable colour
+E Volt (Sense)	1 / Blue
Code sequence	2 / Black
STATUS	3 / Brown
0 Volt (sense)	4 / White
Preset	5 / Green
STATUS inverted	6 / Red
+ E Volt	7 / Brown-Green
Clock	8 / Violet
Clock inverted	9 / Yellow
0 Volt	10 / White-Green
S90	12 / Blue-Black
S90 inverted	13 / Red-Black
Data	14 / Grey
S00	15 / Green-Black
S00 inverted	16 / Yellow-Black
Data inverted	17 / Pink
Case	Chassis / Shield



Order information

Part number

1132977-01