

### Ruggedized Hollow shaft encoder, Absolute

- 58mm diameter
- Single turn resolution  $\leq 10$  bit
- Robust design
- Shock and vibration protected



### Encoder configuration

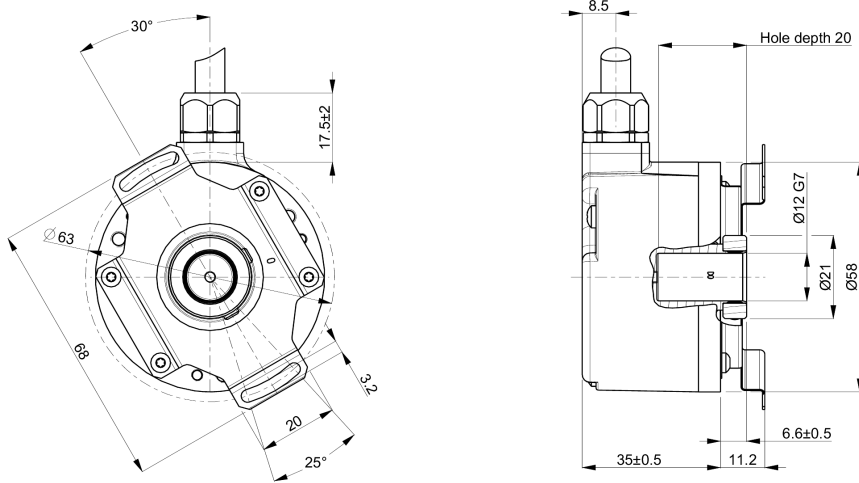
Type	RHA
Model	506 Singleturn
Shaft type	Ø12 mm blind hollow shaft
Flange type	58/59-flange with stator coupling
Power supply	9-36 Vdc
Output interface	Analogue 4-20 mA
Absolute resolution	10 bit (1024 positions per revolution)
Connection type	Cable
Connecting direction	Radial
Cable length	1.50 m
Active angle	360.0 degrees

### Mechanical data

Operating temperature	-40 °C...+80 °C
Ingress protection class [IEC 60529]	IP67 / IP66 (Encoder body/Shaft inlet)
Vibration [IEC 60068-2-6]	$\leq 300$ m/s <sup>2</sup>
Shock [IEC 60068-2-27]	$\leq 2000$ m/s <sup>2</sup>
Shaft load (axial/radial)	10 N / 20 N
Rotational speed max	6000 rpm
Shaft material	Stainless steel
Cover material	Aluminium
Weight	300 g

### Electrical data

Polarity protected	Yes
Short circuit protected	Yes
Current consumption	40 mA at 24 Vdc (Max. 70 mA)
Absolute accuracy	$\pm 1$ LSB

**Dimensions****Supported functions**

PRESET, Code sequence

**Pin Configuration**

Function	Colour
+E V	Red
0 Volt	Blue
I out	Green
Preset	White
Code sequence	Black
Chassis	Shield

**Order information**

Part number

1069356-01