**Ruggedized Hollow shaft encoder, Absolute**

- 58mm diameter
- Robust design
- Shock and vibration protected

**Encoder configuration**

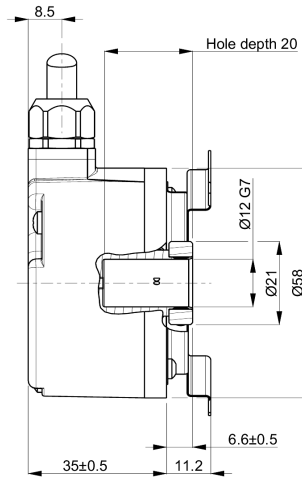
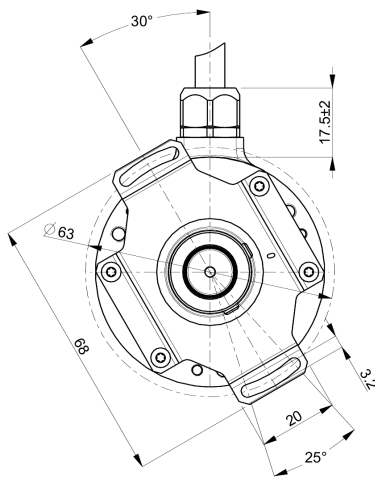
Type	RHA
Model	507 Singleturn
Shaft type	Ø12 mm blind hollow shaft
Flange type	58/59-flange with stator coupling
Power supply	9-36 Vdc
Output interface	SSI Binary
Absolute resolution	13 bit singleturn
Connection type	Cable
Connecting direction	Radial
Cable length	10.00 m

Mechanical data

Operating temperature	-40 °C...+80 °C
Ingress protection class [IEC 60529]	IP67/IP66 (Encoder body/Shaft inlet)
Vibration [IEC 60068-2-6]	≤ 300 m/s ²
Shock [IEC 60068-2-27]	≤ 2000 m/s ²
Shaft load (axial/radial)	10 / 20 N
Rotational speed max	6000 rpm
Shaft material	Stainless steel
Cover material	Aluminium
Weight	300 g

Electrical data

Polarity protected	Yes
Short circuit protected	Yes
Current consumption	50 mA at 24 Vdc (Max. 110 mA)
Cable length max	Frequency dependent
Absolute accuracy	±1 LSB
Frequency range	100 kHz...1 MHz

Dimensions**Supported functions**

Code sequence

Pin Configuration

Function	Color
Clock	Yellow
Clock inverted	Green
Data	White
Data inverted	Black
Hold	Brown
Code sequence	Violet
0 Volt	Blue
+E Volt	Red
Chassis	Shield

Order information

Part number	1128366-01
-------------	------------