**Ruggedized Shaft encoder, Absolute**

- 58mm diameter
- Singleturn resolution 13 bit
- Robust design
- Shock and vibration protected

**Encoder configuration**

Type	RSA
Model	607 Singleturn
Shaft type	Ø6 mm round
Flange type	Synchro flange (63-type)
Power supply	10-30 Vdc
Output interface	PROFINET IRT
Absolute resolution	13 bit singleturn
Connection type	3xM12 connectors
Connecting direction	Radial

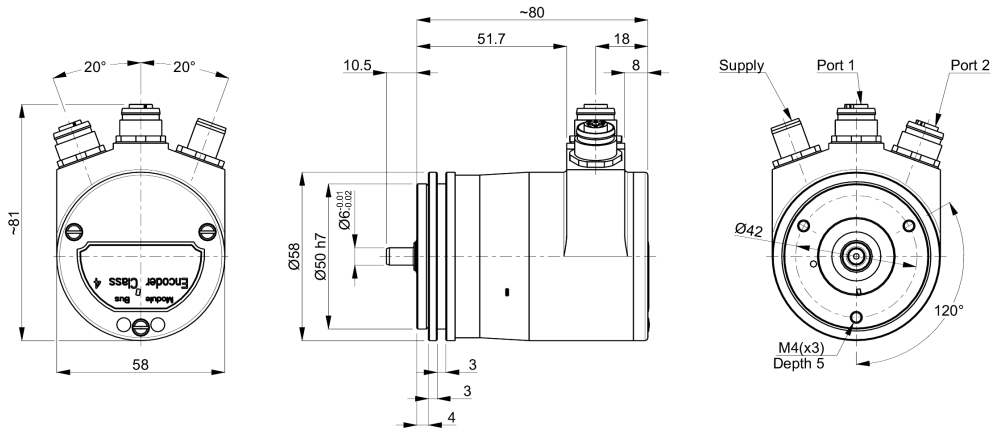
Mechanical data

Operating temperature	-40 °C...+70 °C
Ingress protection class [IEC 60529]	IP67/IP66 (Encoder body/Shaft inlet)
Vibration [IEC 60068-2-6]	≤ 100 m/s ²
Shock [IEC 60068-2-27]	≤ 1000 m/s ²
Shaft load (axial/radial)	50 / 60 N
Rotational speed max	12000 rpm
Shaft material	Stainless steel
Cover material	Aluminium
Weight	400 g

Electrical data

Polarity protected	Yes
Current consumption	100 mA at 24 Vdc
Absolute accuracy	± 158 arcsec
Supported profile	Encoder profile 3.162 v.4.1
Node adress	Assigned dynamically via DCP
Baud rate	Max. 100 Mbit/s

Dimensions



Supported functions

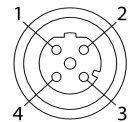
Preset, Scaling, Code sequence, Isosynchronous mode, I&M functions, Velocity

Pin Configuration

Function	Pin
----------	-----

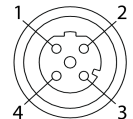
4p D-coded M12 (Port 2)

Tx+	1
Rx+	2
Tx-	3
Rx-	4



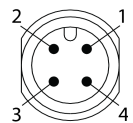
4p D-coded M12 (Port 1)

Tx+	1
Rx+	2
Tx-	3
RX-	4



4p A-coded M12 (Supply)

+E Volt	1
0 Volt	3



Order information

Part number	680239-01
-------------	-----------