

X-heavy duty Hollow shaft encoder, Incremental

- Performance hollow shaft encoder for heavy duty industries
- High vibration and shock resistance
- Electrically insulated shaft



Encoder configuration

Type	XHI
Model	803 Standard
Shaft type	Ø25 mm through-going hollow shaft
Flange type	87-flange
Resolution	100 ppr
Power supply	9-30 Vdc
Output signal	HTL
Connection type	Cable gland
Connecting direction	Radial
Number of channels	6
Torque support	120° degrees torque bracket
Cable gland dimension	M20 for Ø8-11 mm cables

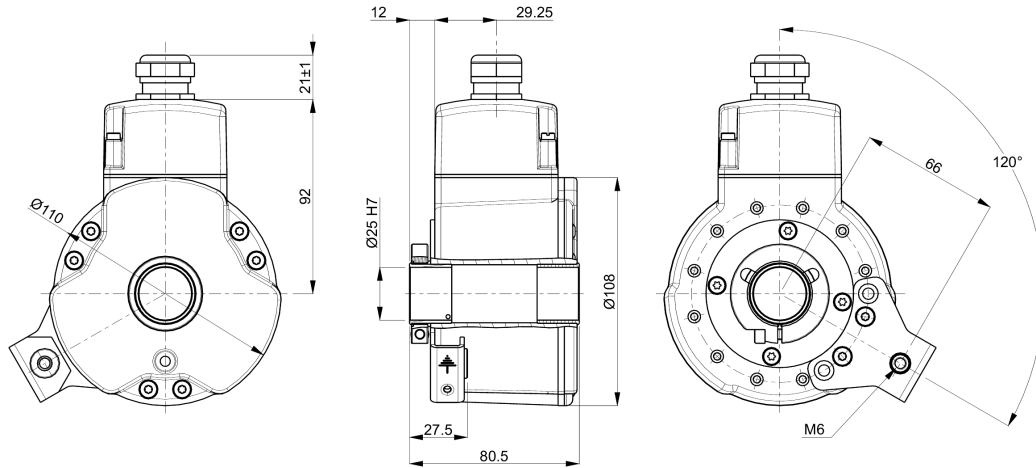
Mechanical data

Operating temperature	-20 °C...+100 °C
Ingress protection class [IEC 60529]	IP67 (IP66 at shaft inlet)
Vibration [IEC 60068-2-6]	≤ 20 g, 55-2000 Hz
Shock [IEC 60068-2-27]	≤ 400 g, 3.5 ms
Shaft load (axial/radial)	50 N / 100 N
Rotational speed max	6000 rpm
Shaft material	Stainless steel with insulated peek insert
Cover material	Aluminium (anodized)
Weight	1400 g

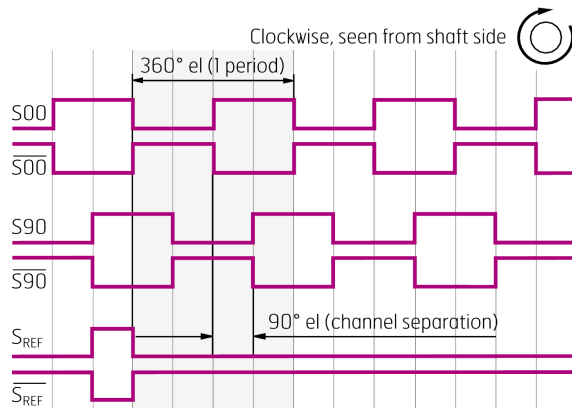
Electrical data

Polarity protected	Yes
Short circuit protected	Yes
Current consumption	60 mA at 24 Vdc (Max. 80 mA)
Incremental output load (max)	± 40 mA
Output frequency max	200 kHz
Cable length max	100 m at 100 kHz
Channel separation	90 °el ± 25 °el
Dividing error	± 50 °el

Dimensions



Output signal



Pin Configuration

Function	Terminal
+E Volt	K
0 Volt	H
Sref	B
Sref inverted	A
S90	D
S90 inverted	C
S00	F
S00 inverted	E
Status	L
Shield	Case or G

Available options

- Overvoltage protection
- Advanced Diagnostic System

Order information

Part number	746159-01
-------------	-----------