

**Inductive Hollow shaft encoder, Absolute**

- 58mm diameter
- Extremely robust design
- Shock and vibration protected
- Inductive scanning

**Encoder configuration**

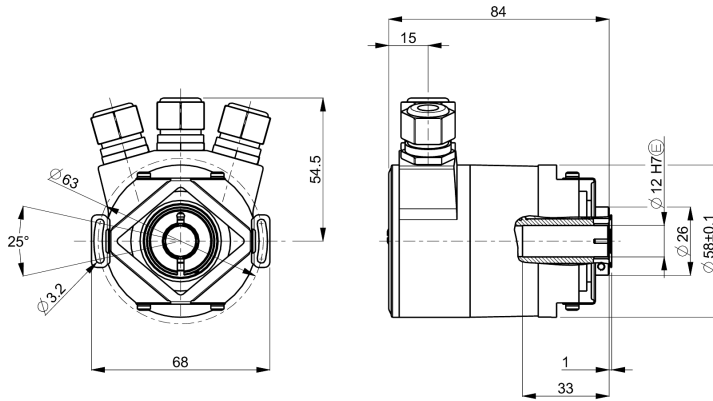
Type	IHA
Model	607 Singleturn
Shaft type	Ø12 mm blind hollow shaft
Flange type	58/59-flange with stator coupling
Power supply	9-36 Vdc
Output interface	CANopen
Absolute resolution	13 bit singleturn
Connection type	Cable gland
Connecting direction	Radial

**Mechanical data**

Operating temperature	-40 °C...+70 °C
Ingress protection class [IEC 60529]	IP67
Vibration [IEC 60068-2-6]	≤ 300 m/s <sup>2</sup>
Shock [IEC 60068-2-27]	≤ 2000 m/s <sup>2</sup>
Shaft load (axial/radial)	100 / 140 N
Rotational speed max	12000 rpm
Shaft material	Stainless steel
Cover material	Aluminium (anodized)
Weight	430 g

**Electrical data**

Polarity protected	Yes
Current consumption	90 mA at 24 Vdc
Absolute accuracy	± 180 arcsec
Supported profile	Encoder profile DS406 v.3,2
Node adress	Settable via DIP switches, 0...99
Baud rate	Settable via switch, max. 1 Mbit/s

**Dimensions****Supported functions**

Preset, Scaling, Code sequence, Velocity, Acceleration, PDO mapping, Heartbeat, Node Guarding

**Pin Configuration**

Function	Terminal
+E Volt	1 (+)
0 Volt	2 (-)
CAN_H	3 (H)
CAN_L	4 (L)
CAN_GND	5 (G)
CAN_GND	6 (G)
CAN_L	7 (L)
CAN_H	8 (H)

**Order information**

Part number	1135624-01
-------------	------------