**Inductive Hollow shaft encoder, Absolute**

- 58mm diameter
- Extremely robust design
- Shock and vibration protected
- Inductive scanning

EnDat 2.2**Encoder configuration**

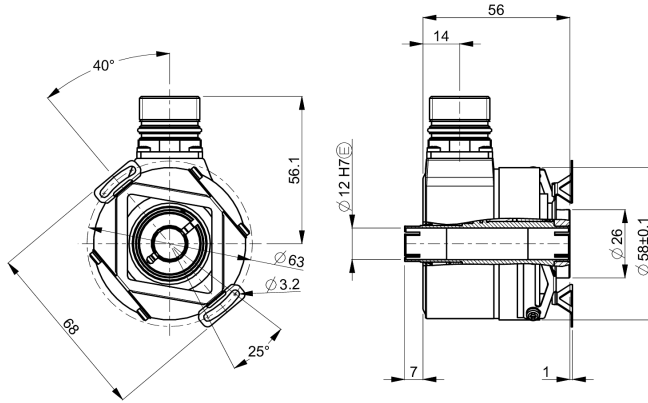
Type	IHA
Model	607 Singleturn
Shaft type	Ø12 mm through-going hollow shaft
Flange type	58/59-flange with stator coupling
Incremental signal resolution	32 ppr 1Vpp
Power supply	3.6-14 Vdc
Output interface	EnDat 2.2 with additional 1Vpp signals
Absolute resolution	25 bit (13 bit singleturn + 12 bit multiturn)
Connection type	M23 connector 17-pin
Connecting direction	Radial

Mechanical data

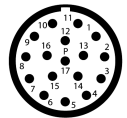
Operating temperature	-40 °C...+100 °C
Ingress protection class [IEC 60529]	IP67
Vibration [IEC 60068-2-6]	≤ 300 m/s ²
Shock [IEC 60068-2-27]	≤ 2000 m/s ²
Shaft load (axial/radial)	100 / 140 N
Rotational speed max	12000 rpm
Shaft material	Stainless steel
Cover material	Aluminium (anodized)
Weight	340 g

Electrical data

Polarity protected	No
Current consumption	100 mA at 5 Vdc
Absolute accuracy	± 180 arcsec

Dimensions**Pin Configuration**

Function	Pin / Cable colour
0 Volt	10 / White-Green
0V sense	4 / White
+E Volt	7 / Brown-Green
+EV sense	1 / Blue
A	15 / Green-Black
A inverted	16 / Yellow-Black
B	12 / Blue-Black
B inverted	13 / Red-Black
Data	14 / Grey
Data inverted	17 / Pink
Clock	8 / Violet
Clock inverted	9 / Yellow
Internal shield	11 / Internal shield
Chassis	Shield

**Order information**

Part number

1135657-01