**Inductive Hollow shaft encoder, Absolute**

- 58mm diameter
- Extremely robust design
- Shock and vibration protected
- Inductive scanning

**Encoder configuration**

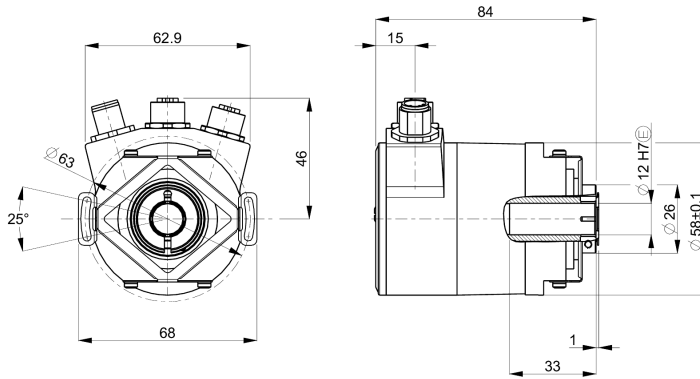
Type	IHA
Model	607 Singleturn
Shaft type	Ø12 mm blind hollow shaft
Flange type	58/59-flange with stator coupling
Power supply	9-36 Vdc
Output interface	PROFINET IRT
Absolute resolution	19 bit singleturn
Connection type	3xM12 connectors
Connecting direction	Radial

**Mechanical data**

Operating temperature	-40 °C...+70 °C
Ingress protection class [IEC 60529]	IP67
Vibration [IEC 60068-2-6]	≤ 300 m/s <sup>2</sup>
Shock [IEC 60068-2-27]	≤ 2000 m/s <sup>2</sup>
Shaft load (axial/radial)	100 / 140 N
Rotational speed max	12000 rpm
Shaft material	Stainless steel
Cover material	Aluminium (anodized)
Weight	430 g

**Electrical data**

Polarity protected	Yes
Current consumption	100 mA at 24 Vdc
Absolute accuracy	± 100 arcsec
Supported profile	Encoder profile 3.162 v.4.1
Baud rate	100 Mbit/s
IP Adress	Assigned dynamically via DCP

**Dimensions****Supported functions**

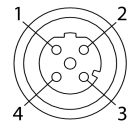
Preset, Scaling, Code sequence, Isosynchronous mode, I&M functions, Velocity

**Pin Configuration**

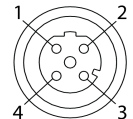
Function	Pin
----------	-----

**4p D-coded M12 (Port 2)**

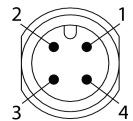
Tx+	1
Rx+	2
Tx-	3
Rx-	4

**4p D-coded M12 (Port 1)**

Tx+	1
Rx+	2
Tx-	3
RX-	4

**4p A-coded M12 (Supply)**

+E Volt	1
0 Volt	3

**Order information**

Part number	1071194-01
-------------	------------