

**Inductive Hollow shaft encoder, Absolute**

- 58mm diameter
- Extremely robust design
- Shock and vibration protected
- Inductive scanning

**Encoder configuration**

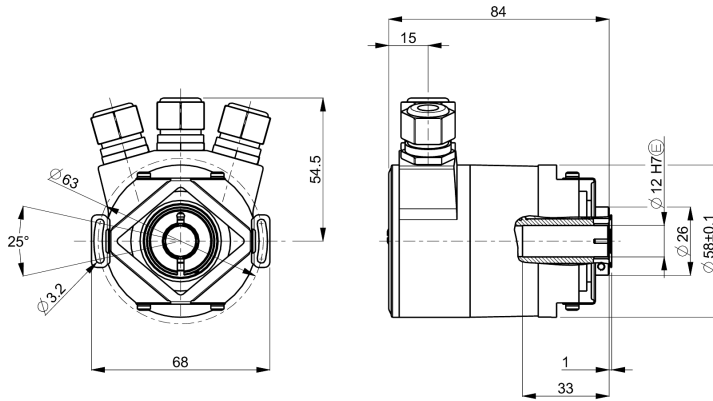
| | |
|----------------------|---|
| Type | IHA |
| Model | 608 Multiturn |
| Shaft type | Ø12 mm blind hollow shaft |
| Flange type | 58/59-flange with stator coupling |
| Power supply | 9-36 Vdc |
| Output interface | PROFIBUS DP |
| Absolute resolution | 31 bit (19 bit singleturn + 12 bit multiturn) |
| Connection type | Cable gland |
| Connecting direction | Radial |

Mechanical data

| | |
|--------------------------------------|-------------------------|
| Operating temperature | -40 °C...+70 °C |
| Ingress protection class [IEC 60529] | IP67 |
| Vibration [IEC 60068-2-6] | ≤ 300 m/s ² |
| Shock [IEC 60068-2-27] | ≤ 2000 m/s ² |
| Shaft load (axial/radial) | 100 / 140 N |
| Rotational speed max | 12000 rpm |
| Shaft material | Stainless steel |
| Cover material | Aluminium (anodized) |
| Weight | 430 g |

Electrical data

| | |
|---------------------|--------------------------------------|
| Polarity protected | Yes |
| Current consumption | 95 mA at 24 Vdc |
| Absolute accuracy | ± 100 arcsec |
| Supported profile | Encoder profile 3.062 and 3.162 v4.1 |
| Node adress | Settable via DIP switches, 0...99 |
| Baud rate | Max. 12 Mbit/s |

Dimensions**Supported functions**

Preset, Scaling, Code sequence, Isosynchronous mode (only DPV2), Velocity (only DPV0 class 2)

Pin Configuration

| Function | Terminal |
|---------------|----------|
| +E Volt | + (1) |
| 0 Volt | - (2) |
| B** (Bus in) | B (3) |
| A* (Bus in) | A (4) |
| B** (Bus out) | B (5) |
| A* (Bus out) | A (6) |

*A terminals are connected

**B terminals are connected

Order information

| | |
|-------------|------------|
| Part number | 1095231-01 |
|-------------|------------|