

**Inductive Hollow shaft encoder, Absolute**

- 58mm diameter
- Extremely robust design
- Shock and vibration protected
- Inductive scanning

**Encoder configuration**

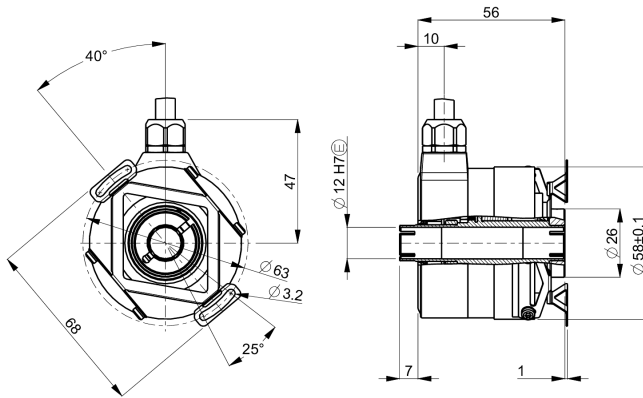
Type	IHA
Model	608 Multiturn
Shaft type	Ø12 mm through-going hollow shaft
Flange type	58/59-flange with stator coupling
Power supply	9-30 Vdc
Output interface	SSI Gray
Absolute resolution	25 bit (13 bit singleturn + 12 bit multiturn)
Connection type	Cable
Connecting direction	Radial
Cable length	1.50 m

Mechanical data

Operating temperature	-40 °C...+100 °C
Ingress protection class [IEC 60529]	IP67
Vibration [IEC 60068-2-6]	≤ 300 m/s ²
Shock [IEC 60068-2-27]	≤ 2000 m/s ²
Shaft load (axial/radial)	100 / 140 N
Rotational speed max	12000 rpm
Shaft material	Stainless steel
Cover material	Aluminium (anodized)
Weight	320 g

Electrical data

Polarity protected	Yes
Current consumption	30 mA at 24 Vdc
Cable length max	Max. 100 m
Absolute accuracy	± 180 arcsec

Dimensions**Supported functions**

Code sequence, Preset

Pin Configuration

Function	Colour
+E Volt	Red
0 Volt	Blue
Clock	Yellow
Clock inverted	Black
Data	White
Data inverted	Green
Zero set	Brown
Code sequence	Violet
+E Volt sense	Grey
0 Volt sense	Pink

Order information

Part number 806944-01