**Inductive Shaft encoder, Absolute**

- 58mm diameter
- Extremely robust design
- Shock and vibration protected
- Inductive scanning

**Encoder configuration**

Type	ISA
Model	608 Multiturn
Shaft type	Ø10 mm shaft with face
Flange type	Synchro flange (63-type)
Power supply	9-36 Vdc
Output interface	EtherCAT®
Absolute resolution	31 bit (19 bit singleturn + 12 bit multiturn)
Connection type	3xM12 connectors
Connecting direction	Radial

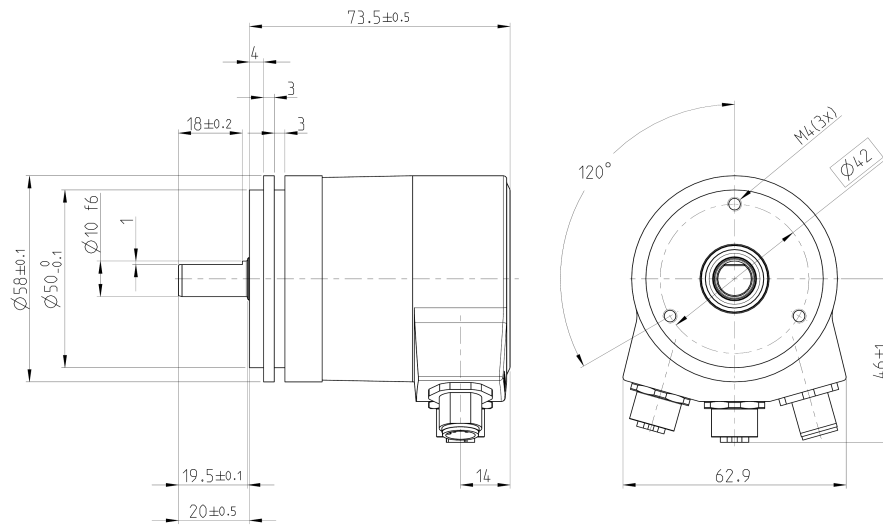
Mechanical data

Operating temperature	-40 °C...+85 °C
Ingress protection class [IEC 60529]	IP67
Vibration [IEC 60068-2-6]	≤ 300 m/s ²
Shock [IEC 60068-2-27]	≤ 2000 m/s ²
Shaft load (axial/radial)	100 / 125 N
Rotational speed max	12000 rpm
Shaft material	Stainless steel
Cover material	Aluminium (anodized)
Weight	400 g

Electrical data

Polarity protected	Yes
Current consumption	100 mA at 24 Vdc
Absolute accuracy	± 100 arcsec
Supported profile	CIA DS-406 v.4.0
Baud rate	100 Mbit/s
Cycle time	32.5 us...32 ms, Distributed Clocks (DC)

Dimensions



Supported functions

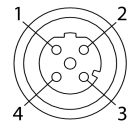
Preset, Scaling, Code sequence, Velocity, Acceleration, FoE (File over EtherCAT)

Pin Configuration

Function	Pin
----------	-----

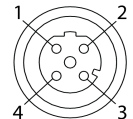
M12 4p D-coded (Out)

Tx+	1
Rx+	2
Tx-	3
Rx-	4



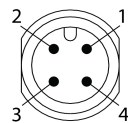
M12 4p D-coded (IN)

Tx+	1
Rx+	2
Tx-	3
Rx-	4



M12 4p A-coded (Supply)

+E Volt	1
0 Volt	3



Order information

Part number

1113585-01