**Inductive Shaft encoder, Absolute**

- 58mm diameter
- Extremely robust design
- Shock and vibration protected
- Inductive scanning

**Encoder configuration**

Type	ISA
Model	608 Multiturn
Shaft type	Ø10 mm shaft with face
Flange type	Clamping flange (61sp-type)
Power supply	9-36 Vdc
Output interface	PROFIBUS DP
Absolute resolution	25 bit (13 bit singleturn + 12 bit multiturn)
Connection type	3xM12 connectors
Connecting direction	Radial

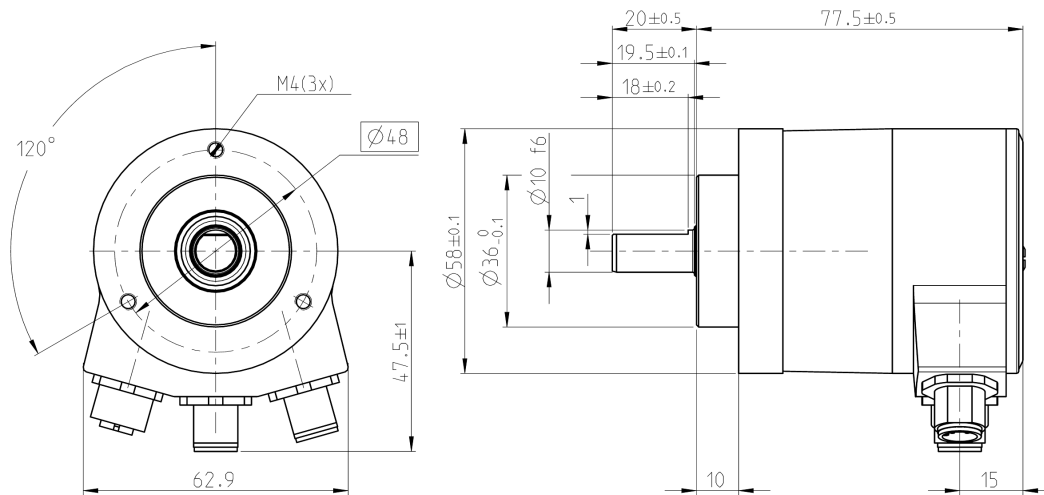
Mechanical data

Operating temperature	-40 °C...+70 °C
Ingress protection class [IEC 60529]	IP67
Vibration [IEC 60068-2-6]	≤ 300 m/s ²
Shock [IEC 60068-2-27]	≤ 2000 m/s ²
Shaft load (axial/radial)	100 / 125 N
Rotational speed max	12000 rpm
Shaft material	Stainless steel
Cover material	Aluminium (anodized)
Weight	430 g

Electrical data

Polarity protected	Yes
Current consumption	95 mA at 24 Vdc
Absolute accuracy	± 180 arcsec
Supported profile	Encoder profile 3.062 and 3.162 v4.1
Node adress	Settable via DIP switches, 0...99
Baud rate	Max. 12 Mbit/s

Dimensions



Supported functions

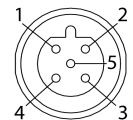
Preset, Scaling, Code sequence, Isosynchronous mode (only DPV2), Velocity (only DPV0 class 2)

Pin Configuration

Function	Pin
----------	-----

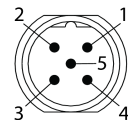
M12 Bus out

VP	1
A	2
DGND	3
B	4
Chassis	5



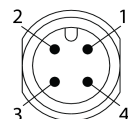
M12 Bus in

A	2
B	4
Chassis	5



M12 power

+E Volt	1
0 Volt	3



Order information

Part number	1036269-01
-------------	------------