**Inductive Shaft encoder, Absolute**

- 58mm diameter
- Extremely robust design
- Shock and vibration protected
- Inductive scanning

**Encoder configuration**

| | |
|----------------------|---|
| Type | ISA |
| Model | 608 Multiturn |
| Shaft type | Ø10 mm round |
| Flange type | Clamping flange (61sp-type) |
| Power supply | 9-30 Vdc |
| Output interface | SSI Binary |
| Absolute resolution | 25 bit (13 bit singleturn + 12 bit multiturn) |
| Connection type | Cable |
| Connecting direction | Radial |
| Cable length | 10.00 m |

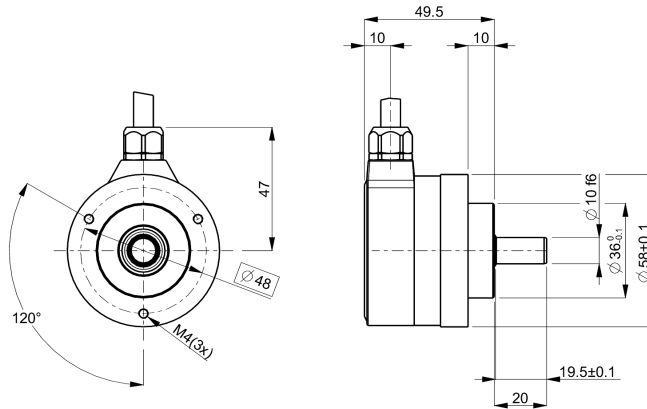
Mechanical data

| | |
|--------------------------------------|-------------------------|
| Operating temperature | -40 °C...+100 °C |
| Ingress protection class [IEC 60529] | IP67 |
| Vibration [IEC 60068-2-6] | ≤ 300 m/s ² |
| Shock [IEC 60068-2-27] | ≤ 2000 m/s ² |
| Shaft load (axial/radial) | 100 / 125 N |
| Rotational speed max | 12000 rpm |
| Shaft material | Stainless steel |
| Cover material | Aluminium (anodized) |
| Weight | 340 g |

Electrical data

| | |
|---------------------|-----------------|
| Polarity protected | Yes |
| Current consumption | 30 mA at 24 Vdc |
| Absolute accuracy | ± 180 arcsec |

Dimensions



Supported functions

Code sequence, Preset

Pin Configuration

| Function | Colour |
|----------------|--------|
| +E Volt | Red |
| 0 Volt | Blue |
| Clock | Yellow |
| Clock inverted | Black |
| Data | White |
| Data inverted | Green |
| Zero set | Brown |
| Code sequence | Violet |
| +E Volt sense | Grey |
| 0 Volt sense | Pink |

Order information

Part number 1078504-01