**Inductive Shaft encoder, Absolute**

- 58mm diameter
- Extremely robust design
- Shock and vibration protected
- Inductive scanning
- Stainless steel EN 1.4404/AISI 316L

**Encoder configuration**

Type	ISA
Model	638 Multiturn stainless steel
Shaft type	Ø10 mm shaft with face
Flange type	Clamping flange (61sp-type)
Power supply	9-30 Vdc
Output interface	SSI Binary
Absolute resolution	25 bit (13 bit singleturn + 12 bit multiturn)
Connection type	Cable
Connecting direction	Radial
Cable length	10.00 m

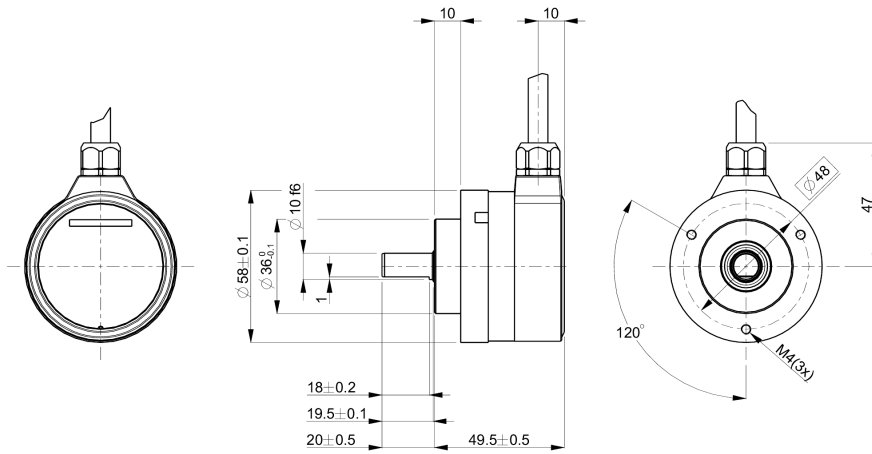
Mechanical data

Operating temperature	-40 °C...+100 °C
Ingress protection class [IEC 60529]	IP67
Vibration [IEC 60068-2-6]	≤ 300 m/s ²
Shock [IEC 60068-2-27]	≤ 2000 m/s ²
Shaft load (axial/radial)	100 / 125 N
Rotational speed max	12000 rpm
Shaft material	Stainless steel
Cover material	Stainless steel A4, AISI 316L/EN 1.4404
Weight	340 g

Electrical data

Polarity protected	Yes
Current consumption	30 mA at 24 Vdc
Absolute accuracy	± 180 arcsec

Dimensions



Supported functions

Code sequence, Preset

Pin Configuration

Function	Colour
+E Volt	Red
0 Volt	Blue
Clock	Yellow
Clock inverted	Black
Data	White
Data inverted	Green
Zero set	Brown
Code sequence	Violet
+E Volt sense	Grey
0 Volt sense	Pink

Order information

Part number 1139553-01