**Ruggedized Shaft encoder, Absolute**

- 58mm diameter
- Singleturn resolution 13 bit
- Multiturn resolution 12 bit
- Robust design
- Shock and vibration protected

**Encoder configuration**

Type	RSA
Model	608 Multiturn
Shaft type	Ø6 mm round
Flange type	Synchro flange (63-type)
Power supply	9-36 Vdc
Output interface	CANopen
Absolute resolution	25 bit (13 bit singleturn + 12 bit multiturn)
Connection type	Cable gland
Connecting direction	Radial

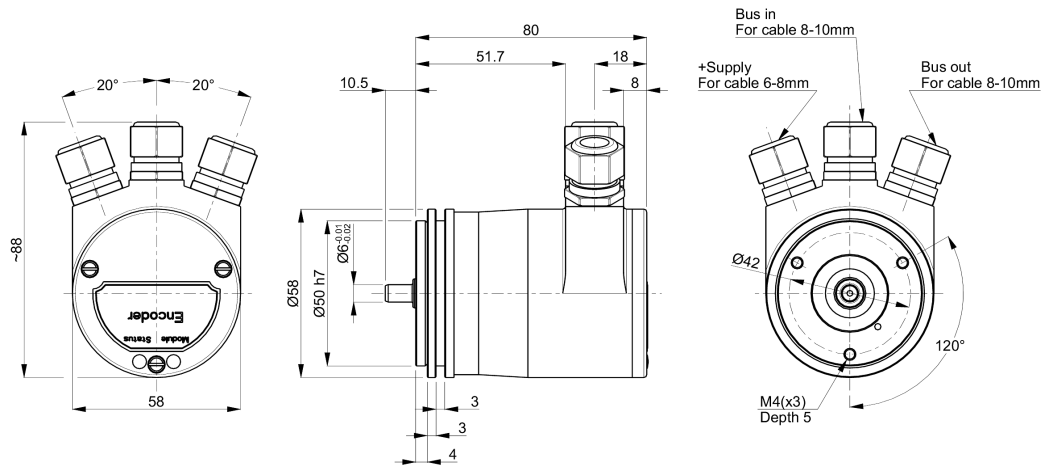
**Mechanical data**

Operating temperature	-40 °C...+70 °C
Ingress protection class [IEC 60529]	IP67/IP66 (Encoder body/Shaft inlet)
Vibration [IEC 60068-2-6]	≤ 100 m/s <sup>2</sup>
Shock [IEC 60068-2-27]	≤ 1000 m/s <sup>2</sup>
Shaft load (axial/radial)	50 / 60 N
Rotational speed max	12000 rpm
Shaft material	Stainless steel
Cover material	Aluminium
Weight	400 g

**Electrical data**

Polarity protected	Yes
Current consumption	90 mA at 24 Vdc (Max. 150 mA)
Absolute accuracy	± 158 arcsec
Supported profile	Encoder profile DS406 v.3,2
Node adress	Settable via DIP switches, 0...99
Baud rate	Settable via switch, max. 1 Mbit/s

## Dimensions



## Supported functions

Preset, Scaling, Code sequence, Velocity, Acceleration, PDO mapping, Heartbeat, Node Guarding

## Pin Configuration

Function	Terminal
+E Volt	1 (+)
0 Volt	2 (-)
CAN_H	3 (H)
CAN_L	4 (L)
CAN_GND	5 (G)
CAN_GND	6 (G)
CAN_L	7 (L)
CAN_H	8 (H)

## Order information

Part number

577827-01