**Ruggedized Shaft encoder, Absolute**

- 58mm diameter
- Singleturn resolution 13 bit
- Multiturn resolution 12 bit
- Robust design
- Shock and vibration protected

**Encoder configuration**

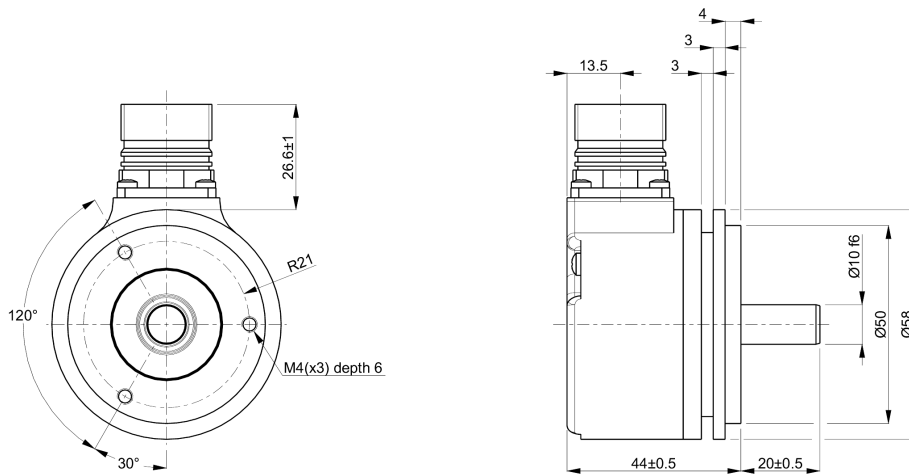
Type	RSA
Model	608 Multiturn
Shaft type	Ø10 mm round
Flange type	Synchro flange (63-type)
Power supply	9-36 Vdc
Output interface	SSI Programmable
Absolute resolution	25 bit (13 bit singleturn + 12 bit multiturn)
Connection type	M23 connector 12-pin
Connecting direction	Radial

**Mechanical data**

Operating temperature	-40 °C...+70 °C
Ingress protection class [IEC 60529]	IP67/IP66 (Encoder body/Shaft inlet)
Vibration [IEC 60068-2-6]	≤ 300 m/s <sup>2</sup>
Shock [IEC 60068-2-27]	≤ 1000 m/s <sup>2</sup>
Shaft load (axial/radial)	50 / 60 N
Rotational speed max	12000 rpm
Shaft material	Stainless steel
Cover material	Aluminium
Weight	300 g

**Electrical data**

Polarity protected	Yes
Current consumption	60 mA at 24 Vdc (Max. 90 mA at 24 Vdc)
Cable length max	Max. 100 m (Max. 10 m for programming over RS232)
Absolute accuracy	± 158 arcsec
Frequency range	100 kHz-1 MHz

**Dimensions****Supported functions**

Code sequence, Preset, Code type, Scaling, Data format

**Pin Configuration**

Function	Pin
RS-232 TXD	1
Direction	2
STATUS	3
RS-232 RXD	4
PRESET 1	5
PRESET 2	6
+E Volt	7
Clock	8
Clock\	9
0 Volt	10
Data	11
Data\	12

**Order information**

Part number

721723-01