**Ruggedized Hollow shaft encoder, Absolute**

- 58mm diameter
- Single turn resolution ≤ 10 bit
- Robust design
- Shock and vibration protected

**Encoder configuration**

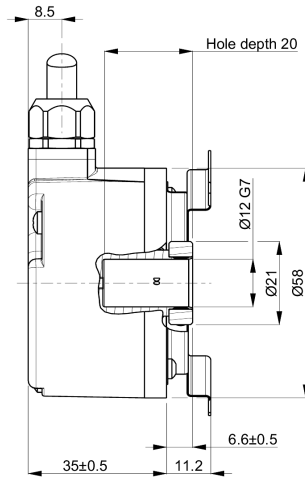
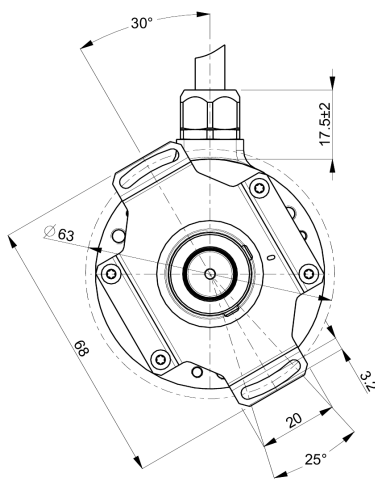
Type	RHA
Model	506 Singleturn
Shaft type	Ø12 mm blind hollow shaft
Flange type	58/59-flange with stator coupling
Power supply	9-36 Vdc
Output interface	Analogue 0-20 mA
Absolute resolution	10 bit (1024 positions per revolution)
Connection type	Cable
Connecting direction	Radial
Cable length	10.00 m
Active angle	360.0 degrees

Mechanical data

Operating temperature	-40 °C...+80 °C
Ingress protection class [IEC 60529]	IP67 / IP66 (Encoder body/Shaft inlet)
Vibration [IEC 60068-2-6]	≤ 300 m/s ²
Shock [IEC 60068-2-27]	≤ 2000 m/s ²
Shaft load (axial/radial)	10 N / 20 N
Rotational speed max	6000 rpm
Shaft material	Stainless steel
Cover material	Aluminium
Weight	300 g

Electrical data

Polarity protected	Yes
Short circuit protected	Yes
Current consumption	40 mA at 24 Vdc (Max. 70 mA)
Absolute accuracy	± 1 LSB

Dimensions**Supported functions**

PRESET, Code sequence

Pin Configuration

Function	Colour
+E V	Red
0 Volt	Blue
I out	Green
Preset	White
Code sequence	Black
Chassis	Shield

Order information

Part number

1037221-01