**Ruggedized Shaft encoder, Absolute**

- Single turn resolution  $\leq 10$  bit
- Robust design
- Shock and vibration protected

**Encoder configuration**

Type	RSA
Model	506 Singleturn
Shaft type	Ø6 mm round
Flange type	51-flange
Power supply	9-36 Vdc
Output interface	Parallell Binary HTL
Absolute resolution	10 bit (1024 positions per revolution)
Connection type	Cable
Connecting direction	Radial
Cable length	0.50 m

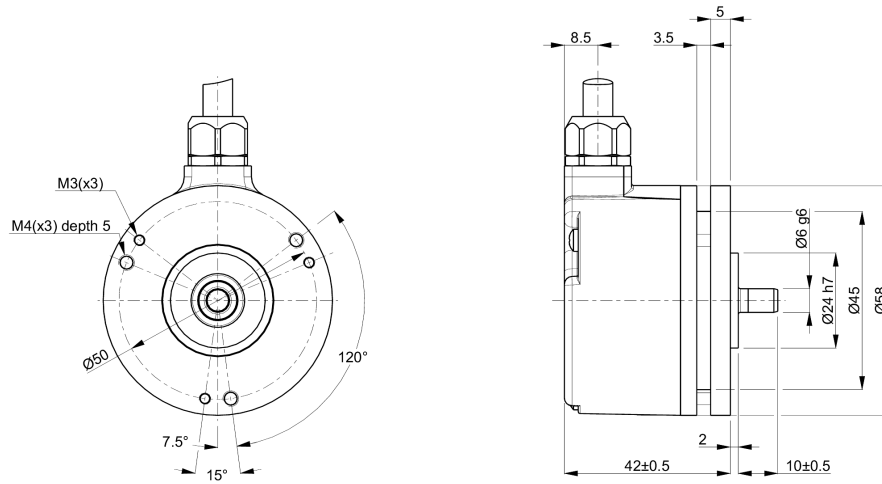
**Mechanical data**

Operating temperature	-40 °C...+80 °C
Ingress protection class [IEC 60529]	IP67 (IP66 at shaft inlet)
Vibration [IEC 60068-2-6]	$\leq 300$ m/s <sup>2</sup>
Shock [IEC 60068-2-27]	$\leq 2000$ m/s <sup>2</sup>
Shaft load (axial/radial)	50 N / 60 N
Rotational speed max	6000 rpm
Shaft material	Stainless steel
Cover material	Aluminium
Weight	300 g

**Electrical data**

Polarity protected	Yes
Short circuit protected	Yes
Current consumption	40 mA at 24 Vdc (Max. 90 mA)
Absolute accuracy	$\pm 1$ LSB

## Dimensions



## Supported functions

Code sequence, /Hold

## Pin Configuration

Function	Colour
+E Volt	Red
0 Volt	Blue
Bit 1	White
Bit 2	Brown
Bit 3	Green
Bit 4	Yellow
Bit 5	Grey
Bit 6	Pink
Bit 7	Black
Bit 8	Violet
Bit 9	Grey/Pink
Bit 10	Blue/Red
Code sequence	White/Yellow
/Hold	Brown/Yellow
Chassis	Shield

## Order information

Part number 731216-01