**Ruggedized Shaft encoder, Absolute**

- Single turn resolution  $\leq 10$  bit
- Robust design
- Shock and vibration protected

**Encoder configuration**

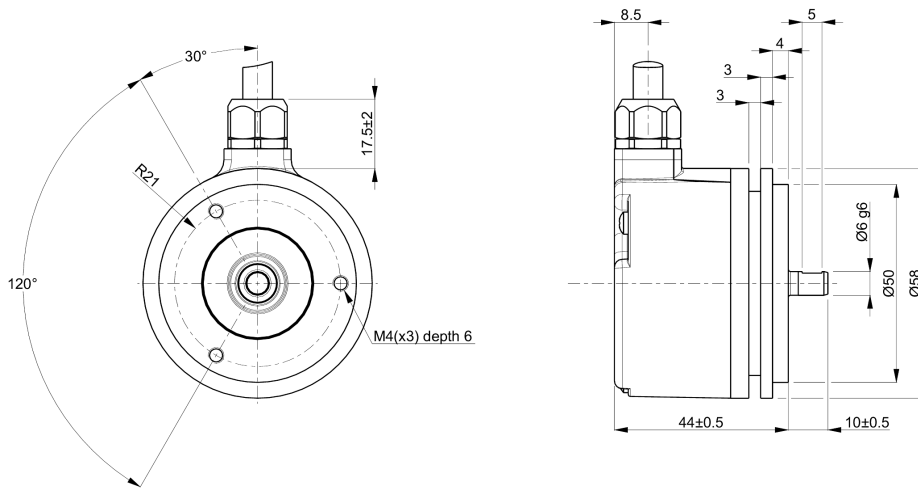
Type	RSA
Model	506 Singleturn
Shaft type	$\varnothing 6$ mm with partial flat
Flange type	Synchro flange (63-type)
Power supply	9-36 Vdc
Output interface	Parallell Gray HTL
Absolute resolution	8 bit (256 positions per revolution)
Connection type	Cable
Connecting direction	Radial
Cable length	1.50 m

**Mechanical data**

Operating temperature	-40 °C...+80 °C
Ingress protection class [IEC 60529]	IP67 (IP66 at shaft inlet)
Vibration [IEC 60068-2-6]	$\leq 300$ m/s <sup>2</sup>
Shock [IEC 60068-2-27]	$\leq 2000$ m/s <sup>2</sup>
Shaft load (axial/radial)	50 N / 60 N
Rotational speed max	6000 rpm
Shaft material	Stainless steel
Cover material	Aluminium
Weight	300 g

**Electrical data**

Polarity protected	Yes
Short circuit protected	Yes
Current consumption	40 mA at 24 Vdc (Max. 90 mA)
Absolute accuracy	$\pm 1$ LSB

**Dimensions****Supported functions**

Code sequence, /Hold

**Pin Configuration****Order information**

Part number

1086019-01